



1785-L80C15

Allen Bradley PLC – PLC 5

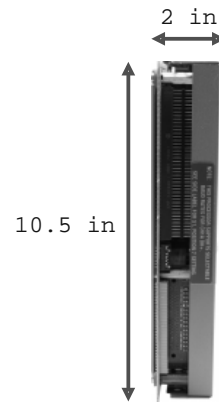
Technical Specifications:	
Manufacturer	Rockwell Automation
Brand	Allen-Bradley
Part Number/Catalog No.	1785-L80C15
Module Type	ControlNet PLC-5 Processor
Processor	PLC-5/80C
Max User Memory Words	100 Kilowords
Battery-Backed Static RAM	Yes
EEPROM Program Backup Option (using 1785-ME16, -ME32, -ME64, and -M100)	Yes
Protected Memory	No
Max Total I/O	Forcible 3072 (any mix) or 3072 in + 3072 out (complementary), Nonforcible 50176
Max Analog I/O	Forcible 3072 and Nonforcible 50176
I/O Scan Time Per Rack	ControlNet I/O 0.5 ms (average); Universal Remote I/O 10 ms at 57.6 kbits/s, 7 ms at 115.2 kbits/s, 3 ms at 230.4 mbits/s
Max I/O Chassis Total	125
Max I/O Chassis Extended Local	0
Max I/O Chassis Universal Remote	60
RS-232-C/422-A/423- A Ports	1
Control Coprocessor Expansion Port	Yes

Product Images

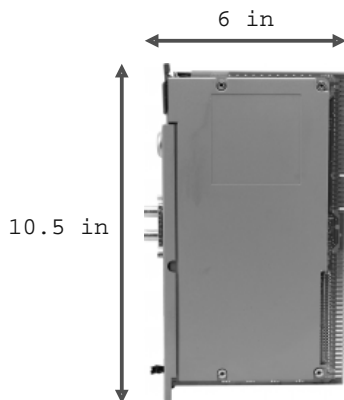
Front



Back



Left Side



Right Side

